

Contact
E-mail
Phone

Customer

Contact
E-mail
Phone

Technical data

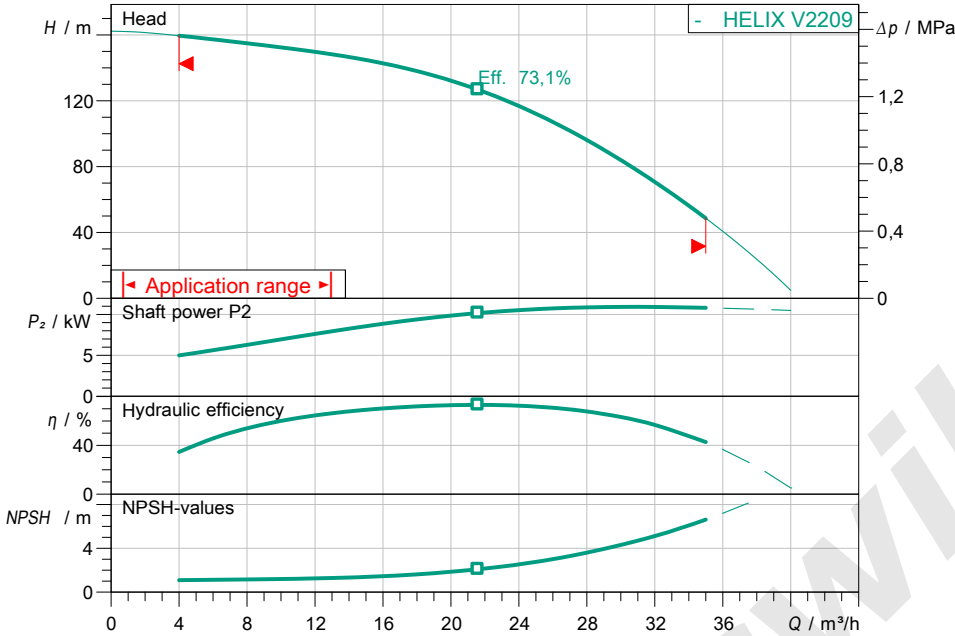
High-pressure multistage centrifugal pump
Helix FIRST V 2209-5/25/E/KS/4()

Project name

Project ID
Installation location
Customer pos.no

Date 2019-01-02

Duty chart

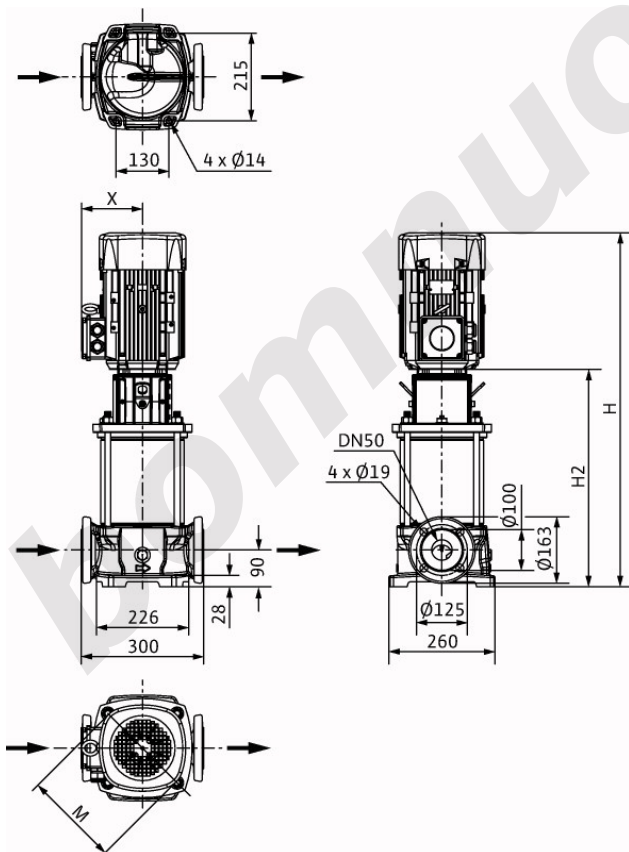


pump curves in accordance with ISO 9906, Appendix A

Dimensions

H	1348
H2	952
$\varnothing M$	279
X	182

mm



Requested data

Flow	
Head	
Media	Water 100 %
Fluid temperature	20,00 °C
Density	998,30 kg/m ³
Kin. viscosity	1,00 mm ² /s

Hydraulic data (Duty point)

Flow	
Head	
Shaft power P2	
Hydraulic efficiency	
NPSH	

Product data

High-pressure multistage centrifugal pump	
Helix FIRST V 2209-5/25/E/KS/400-50	
Max. operating pressure	2,5 MPa
Inlet pressure max.	10 bar
Fluid temperature	-30 °C ... +120 °C
Max. ambient temperature	40 °C
Minimum Efficiency Index (MEI)	≥ 0.70

Motordata per Motor/Pump

Motor efficiency level	IE3
Mains connection	3~ 400 V / 50 Hz
Permitted voltage tolerance	±10 %
Max. speed	2917 1/min
Rated power P2	11,00 kW
Rated current	19,00 A
Power factor	0,91
Efficiency	
50% / 75% / 100%	90,1/91,2/91,2%
Degree of protection	IP 55
Insulation class	F
Motor protection	n0

Fitting dimensions

Pipe connection on the suction side	DN 50, PN 25
Pipe connection on the pressure side	DN 50, PN 25

Materials

pump housing	EN-GJL-250 (cataphoretic-coated)
Impeller	1.4307 [AISI304L]
Static seal	EPDM
pump shaft	1.4057 [AISI431]
Mechanical seal	U3BE3GG

Information for order placements

Weight approx.	113 kg
Item number	4200577