



Contact
E-mail
Phone

Customer

Contact
E-mail
Phone

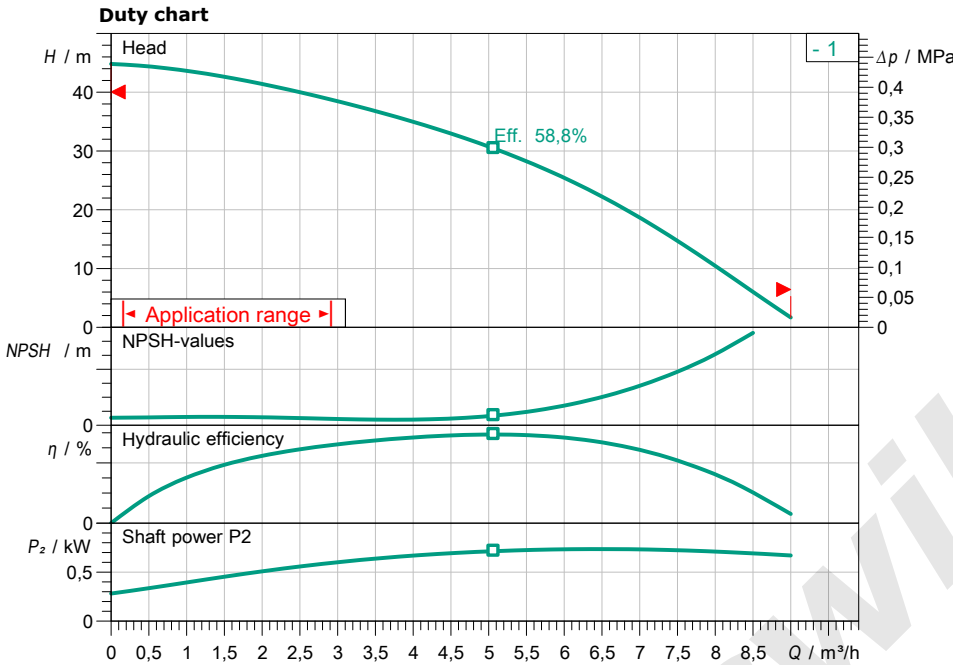
Technical data

High-pressure multistage centrifugal pump
MHI 404-1/E/1-230-50-2

Project name

Project ID
Installation location
Customer pos.no

Date 31.08.2018



pump curves in accordance with ISO 9906, Appendix A

Requested data

Flow
Head
Media Water 100 %
Fluid temperature 20,00 °C
Density 998,30 kg/m³
Kin. viscosity 1,00 mm²/s

Hydraulic data (Duty point)

Flow
Head
Shaft power P2
Hydraulic efficiency
NPSH

Product data

High-pressure multistage centrifugal pump
MHI 404-1/E/1-230-50-2
Max. operating pressure 1 MPa
Inlet pressure max. 6 bar
Fluid temperature -30 °C ... +110 °C
Max. ambient temperature 40 °C

Motordata per Motor/Pump

Motor efficiency level
Mains connection 1~ 230 V / 50 Hz
Permitted voltage tolerance ±10 %
Max. speed 2900 1/min
Rated power P2 0,75 kW
Rated current 5,10 A
Power factor 0,98
Efficiency 50% / 75% / 100% 57,7/62,8/62,3%
Degree of protection X4
Insulation class F
Motor protection PTO

Fitting dimensions

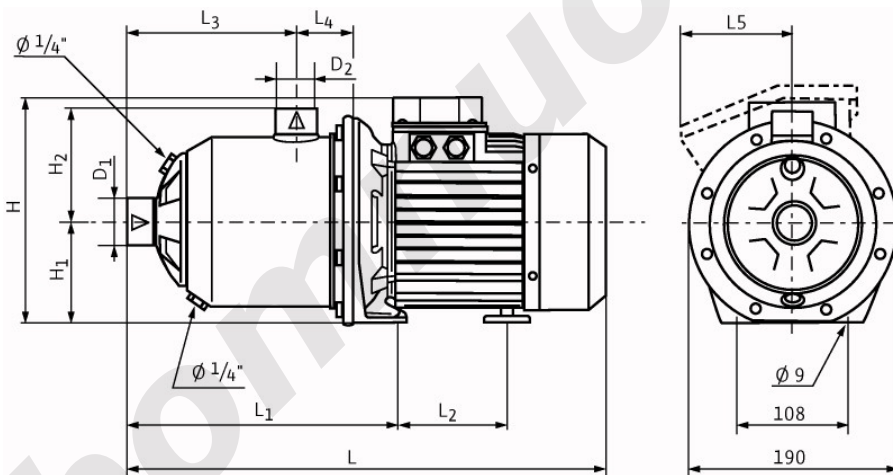
Pipe connection on the suction side Rp 1¼, PN 10
Pipe connection on the pressure side Rp 1, PN 10

Materials

pump housing 1.4301 [AISI304]
Impeller 1.4301 [AISI304]
Static seal EPDM
pump shaft 1.4301 [AISI304]
mechanical seal BQ1E3GG

Information for order placements

Weight approx. 12,2 kg
Item number 4024296



Dimensions		mm		
H	216	L2	88	Ø D2 1
H1	90	L3	157,5	
H2	104	L4	52	
L	423	L5	106	
L1	252	Ø D1	1¼	