



Contact
E-mail
Phone

Customer

Contact
E-mail
Phone

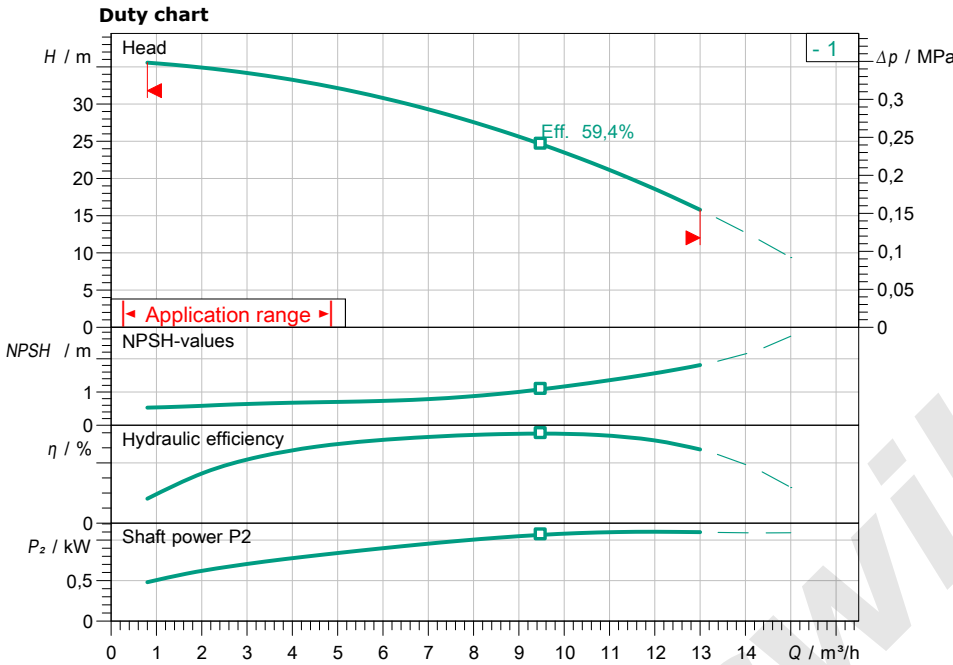
Technical data

High-pressure multistage centrifugal pump
MHI 803-1/E/1-230-50-2

Project name

Project ID
Installation location
Customer pos.no

Date 2018-09-05



pump curves in accordance with ISO 9906, Appendix A

Requested data

Flow
Head
Media Water 100 %
Fluid temperature 20,00 °C
Density 998,30 kg/m³
Kin. viscosity 1,00 mm²/s

Hydraulic data (Duty point)

Flow
Head
Shaft power P_2
Hydraulic efficiency
NPSH

Product data

High-pressure multistage centrifugal pump
MHI 803-1/E/1-230-50-2
Max. operating pressure 1 MPa
Inlet pressure max. 6 bar
Fluid temperature -30 °C ... +110 °C
Max. ambient temperature 40 °C

Motordata per Motor/Pump

Motor efficiency level
Mains connection 1~ 230 V / 50 Hz
Permitted voltage tolerance ± 10 %
Max. speed 2900 1/min
Rated power P_2 1,10 kW
Rated current 7,20 A
Power factor 0,96
Efficiency 50% / 75% / 100% 56,9/64,3/67,2%
Degree of protection X4
Insulation class F
Motor protection PTO

Fitting dimensions

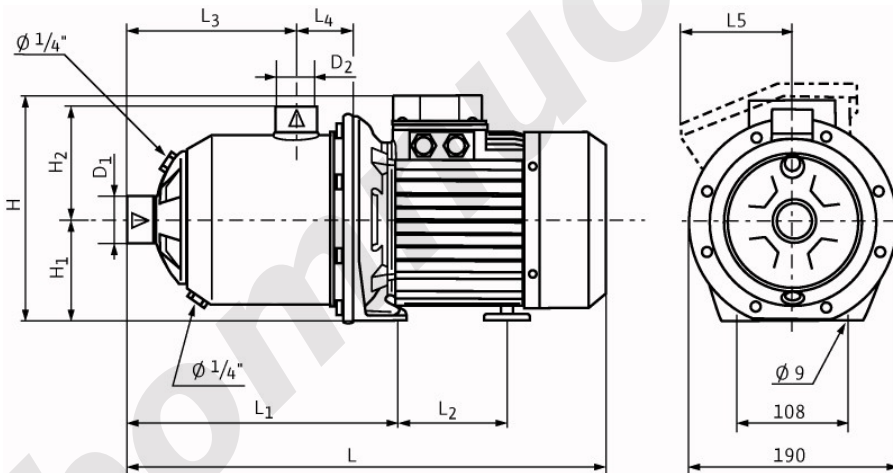
Pipe connection on the suction side Rp 1 1/2, PN 10
Pipe connection on the pressure side Rp 1 1/4, PN 10

Materials

pump housing 1.4301 [AISI304]
Impeller 1.4301 [AISI304]
Static seal EPDM
pump shaft 1.4301 [AISI304]
mechanical seal BQ1E3GG

Information for order placements

Weight approx. 14,5 kg
Item number 4024304



Dimensions

| Dimensions | | mm | | |
|------------|-----|-----------|-------|-----------------|
| H | 224 | L2 | 103,5 | $\phi D2$ 1 1/4 |
| H1 | 90 | L3 | 121,5 | |
| H2 | 104 | L4 | 52 | |
| L | 412 | L5 | 106 | |
| L1 | 216 | $\phi D1$ | 1 1/2 | |