

Contact  
E-mail  
Phone

**Customer**

Contact  
E-mail  
Phone

## Technical data

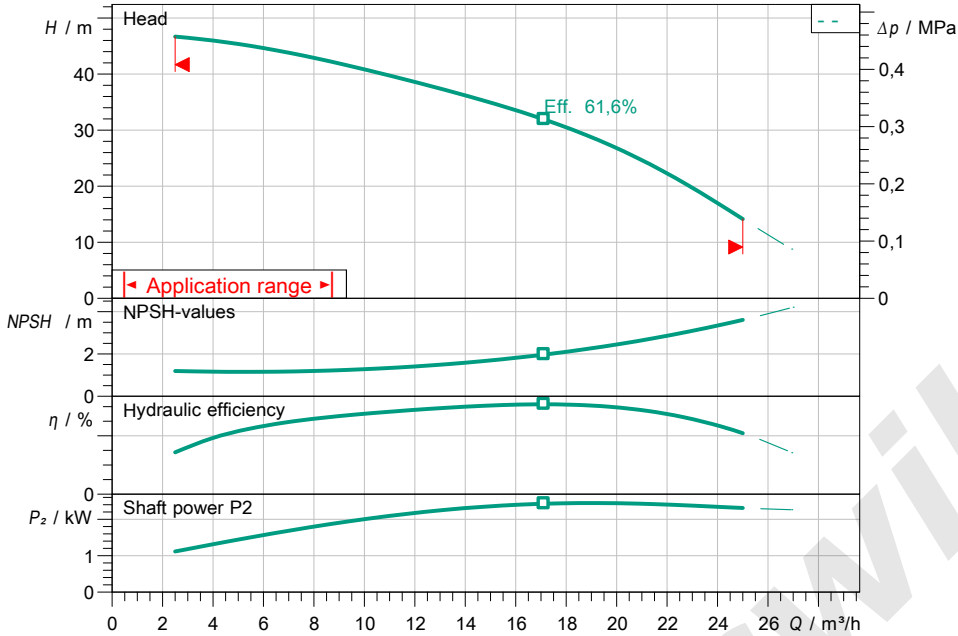
### High-pressure multistage centrifugal pump MHI 1604-1/E/3-400-50-2

Project name

Project ID  
Installation location  
Customer pos.no

Date 06.09.2018

#### Duty chart



pump curves in accordance with ISO 9906, Appendix A

#### Requested data

Flow  
Head  
Media  
Fluid temperature  
Density  
Kin. viscosity

Water 100 %  
20,00 °C  
998,30 kg/m³  
1,00 mm²/s

#### Hydraulic data (Duty point)

Flow  
Head  
Shaft power P2  
Hydraulic efficiency  
NPSH

#### Product data

High-pressure multistage centrifugal pump  
MHI 1604-1/E/3-400-50-2  
Max. operating pressure 1 MPa  
Inlet pressure max. 6 bar  
Fluid temperature -30 °C ... +110 °C  
Max. ambient temperature 40 °C

#### Motordata per Motor/Pump

Motor efficiency level IE3  
Mains connection 3~ 400 V / 50 Hz  
Permitted voltage tolerance ±10 %  
Max. speed 2900 1/min  
Rated power P2 2,20 kW  
Rated current 5,40 A  
Power factor 0,82  
Efficiency 50% / 75% / 100% 84,5/85,9/85,9%  
Degree of protection IP 54  
Insulation class F  
Motor protection n0

#### Fitting dimensions

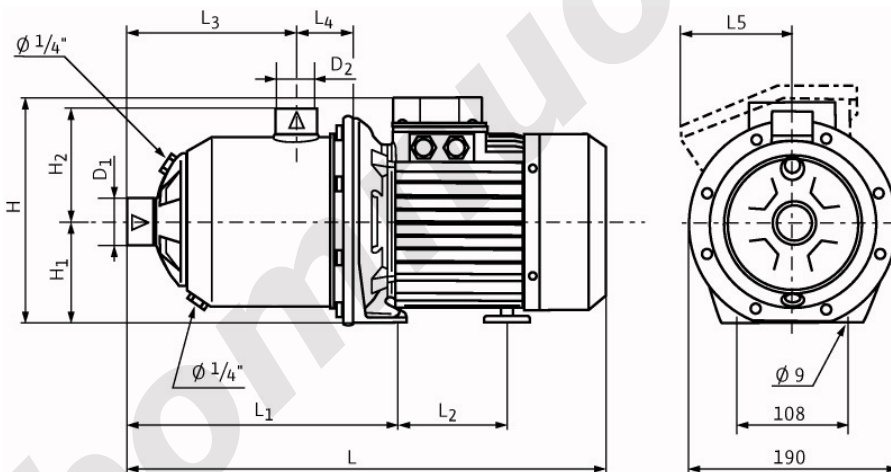
Pipe connection on the suction side Rp 2, PN 10  
Pipe connection on the pressure side Rp 1½, PN 10

#### Materials

pump housing 1.4301 [AISI304]  
Impeller 1.4301 [AISI304]  
Static seal EPDM  
pump shaft 1.4301 [AISI304]  
mechanical seal BQ1E3GG

#### Information for order placements

Weight approx. 21,6 kg  
Item number 4210715



#### Dimensions

Dimensions		mm			
H	240	L2	148	Ø D2	1½
H1	90	L3	183		
H2	105	L4	55		
L	526	L5	52		
L1	280,5	Ø D1	2		